

Sanitation and environment

Torp-Isak, Dass-Isak & Roslagskomposten



Separett[®]
Waterless toilets

”Urine-separating holiday cottage toilet with fan”



Torp-Isak

Item no. 30016 (White)

Item no. 30017 (Granite)

Torp-Isak is a urine-separating holiday cottage toilet for use indoors or in other cold areas. Urine separation allows the emptying frequency to be reduced to a fifth and the characteristic hydrogen sulphide smell (the toilet smell) to be eliminated. The fan creates low pressure that quickly dries out faeces and removes any bad odours. This also ensures that the toilet is supplied with fresh air.



THREE YEARS GUARANTEE



TWO COLOURS

- WHITE (30016)
- GRANITE (30017)



URINE-SEPARATING TOILET



COMPOSTABLE BAGS
- ART. NO. 1127



ACCESSORIES

- ART.NO. 1118 BIO DRAIN CLEANER
- ART.NO. 1013 EJEKTORTANK



RECYCLABLE



INSTALLATION

Position Torp-Isak in a suitable location, preferably next to an exterior wall. The ventilation connection should be placed directly behind.

- Connect the ventilation pipe (dim. 75/110 mm) to the adapter on Torp-Isak and draw the ventilation out as per the alternative below. (The simplest thing to do is connect the ventilation directly out through the exterior wall as per alternative 1 in the picture below) NB! Components for connection of ventilation (pipe, exterior wall grating, etc.) are not included. These can be purchased from the retailer as per your specific requirements. Remember to end the ventilation with a net for flies.

- Screw the bottom section tight to the floor using the accompanying screws.

- Connect the hose or 32 mm pipes for infiltration or to the collection vessel. Check with environmental health in your local authority regarding a suitable method of extraction.

- Place the compostable latrine bag in the latrine vessel.

- Connect the battery eliminator to a 230 V socket. The fan is 12 V, so it can be run to advantage using a battery, solar cells or other 12 V energy source.

When emptying, lift the top of Torp-Isak to a suitable distance, fold the edges of the compostable sack in and place the vessel lid on top. The vessel can then be taken to a composter/composting bin for emptying. Place a new sack in the container. Please note that the standard bags are compostable.

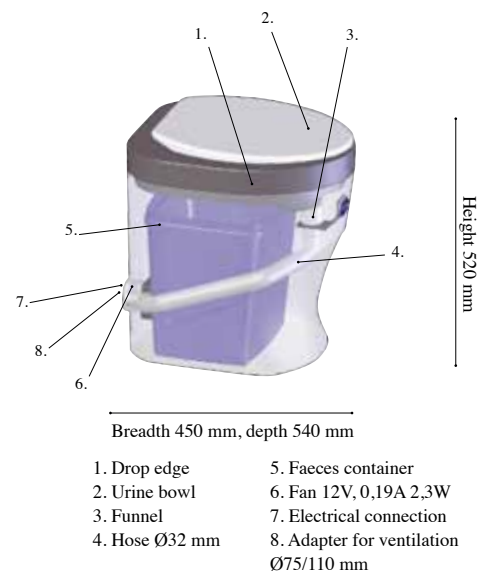
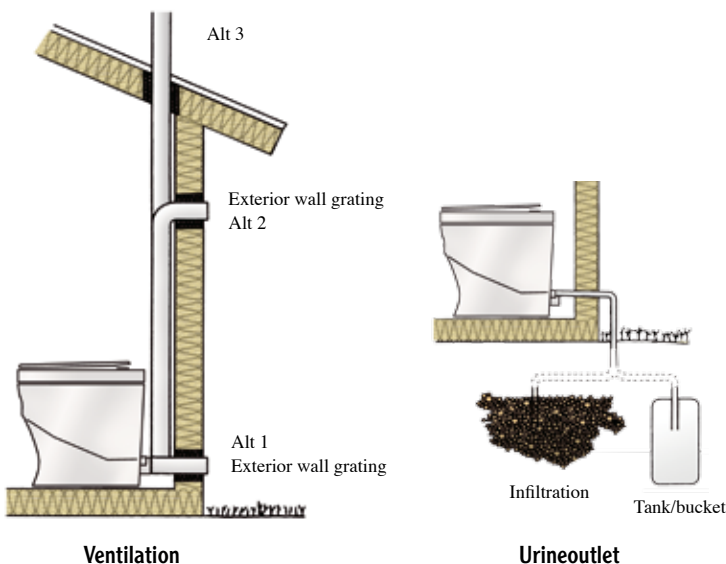
CARE INSTRUCTIONS

Rinse the urine bowl with water regularly. Add a coffee cup of peat litter occasionally to weigh the paper down in the latrine vessel.

If Torp-Isak is not used for long periods, we recommend that the faeces container is emptied and that the urine bowl is rinsed with water and the fan is disconnected. If the fan does not start after a long period of inactivity: poke the fan blade.

NB! Torp-Isak is intended for use indoors, but can also be used in cold areas!

Guarantee: 3 years guarantee against fabrication faults. The toilet and container is produced in recyclable polyethylene and the seat from polypropylene.



Dass-Isak

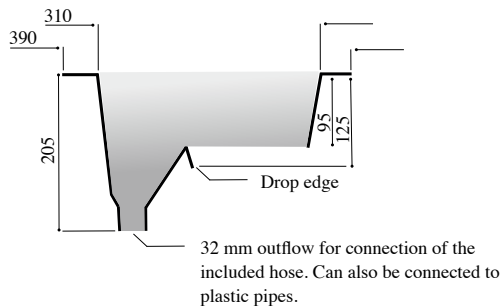
Item no. 30012

Insert for urine separation in outside toilets and for a number of non-separating composting toilets. Urine separation allows the emptying frequency to be reduced to a fifth and the characteristic hydrogen sulphide smell (the toilet smell) to be eliminated. The insert is supplied complete with a seat and lid, plus hose and attachments.



PRODUCT FACTS

- *Environmentally-friendly*
 - *Almost entirely odourless*
 - *Simple handling*
 - *Less frequent latrine emptying*
 - *Ergonomic for users and cleaning personnel*
 - *Recyclable*
 - *Manufactured from environmentally-friendly plastic*
 - *Hygienic and durable insulated seat (Item no. 30013).*
- Also available for purchase separately.*



EXAMPLE OF INSTALLATION

A ventilation pipe from the latrine space provides a chimney effect, removing any moisture and helping to dry faeces. For best results, the pipe should extend at least 60 cm above the roof of the toilet.



Dealing with urine: Alternative 1 Alternative 2

Roslagskomposten

Item no. 30010

The large volume of 2 x 500 litres makes Roslagskomposten suitable for combined composting of household and human waste at holiday properties. For composting household waste at permanent residences, it can deal with the waste of up to 5 people. The two containers are used alternately. Before use, a rich layer of peat mould or other suitable litter is added to the bottom.

In order to prevent the compost from becoming too wet, further litter can be added. Once container 1 is 2/3 full, container 2 is taken into use. Container 1 will now be left to compost for 6 months so that the contents are transformed into nutritious and odourless compost for use in gardens. Roslagskomposten is manufactured from recyclable polythene, with a lid of galvanised steel. The compost is easy to empty. The dry, finished compost is light, dry and odourless. Roslagskomposten is approved in several municipalities. Contact the municipal environmental and public health office for a licence. Composting means that you can save money by eliminating the need for latrines to be collected and/or reducing refuse collection charges.

