

Hot Compost



PRODUCT FACTS

- Composter for use year around
- Insulated with polystyrene for increased efficiency
- Tested according to the SWAN process
- 5 years guarantee
- Easy to access and to empty due to the sliding front
- Capacity: 5 persons or 20-25 litres per week
- The material is FDA approved and recyclable

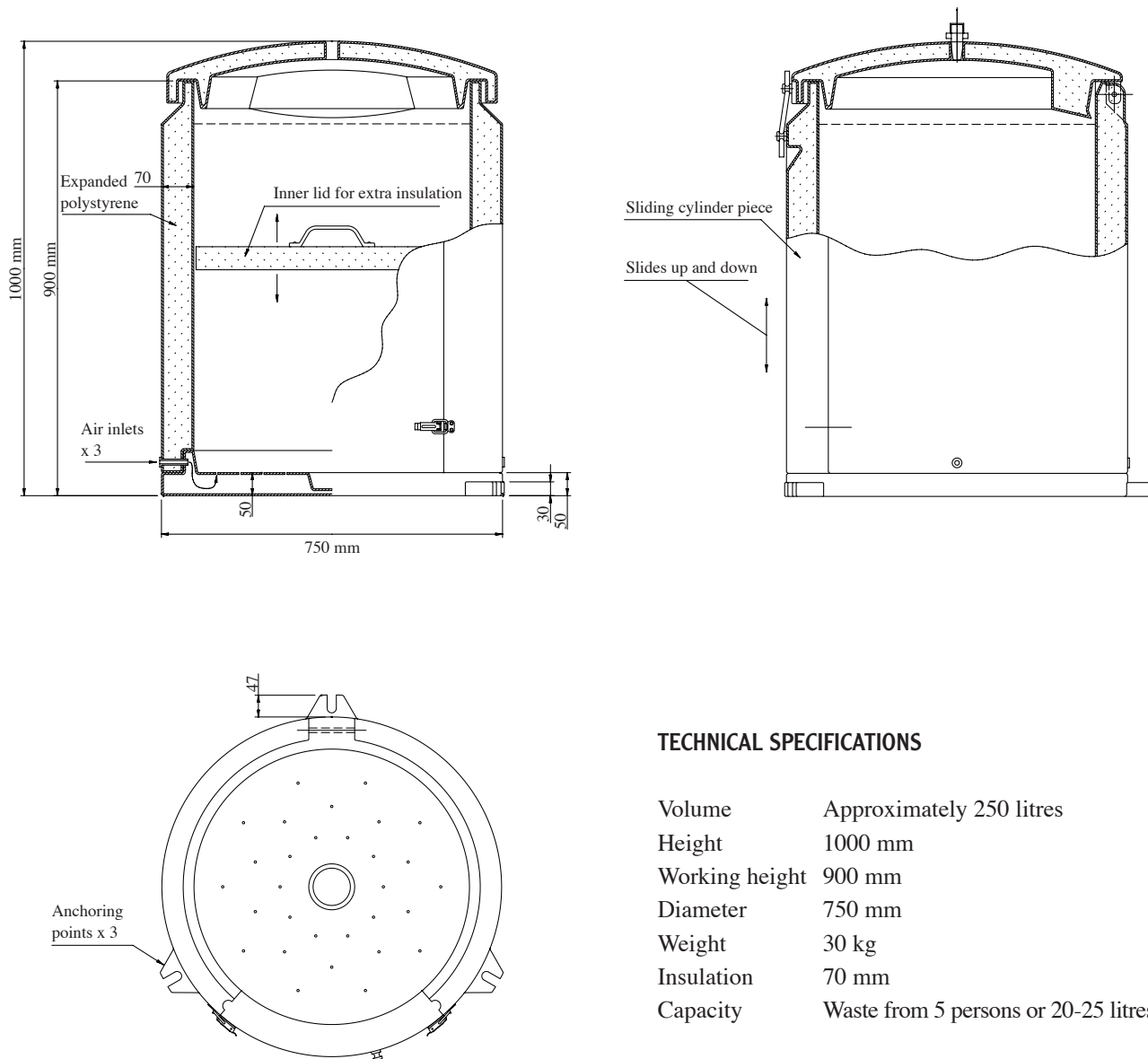
Hot Compost

Composting is both useful and environmental friendly. All organic waste from the kitchen or garden can be composted with the Hot Compost and you get nice nutritious soil back. The Hot Compost is a year around composter produces in environmental friendly recyclable polyethylene plastic. The Hot Compost is a very robust container which is maintenance free and is certified with the Nordic symbol SWAN which guarantees that the product is a good environmental choice. Combined with a five year guarantee makes a good choice in composters. The container has a 70 mm isolation of expanded polystyrene which is protected in the double walled plastic construction. An inner lid for extra insulation for start up- and cold periods are included in the product. A large sliding front makes the composter easy to access and to empty. The

composter has a double bottom and a venting valve in the lid, both allowing a good airflow. The lid is hold shut via a rubber strap and a braking device prevents the lid to slam shut when the lid is opened. The Hot Compost should be placed on a flat surface with a slight lean towards to draining hole for excess water which is placed in the back of the container. Average composting time is approximately 10 to 12 weeks.

Separett®
Waterless toilets

Hot Compost



TECHNICAL SPECIFICATIONS

Volume	Approximately 250 litres
Height	1000 mm
Working height	900 mm
Diameter	750 mm
Weight	30 kg
Insulation	70 mm
Capacity	Waste from 5 persons or 20-25 litres per week

Separett®
Waterless toilets